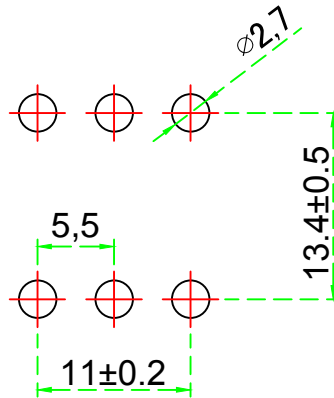
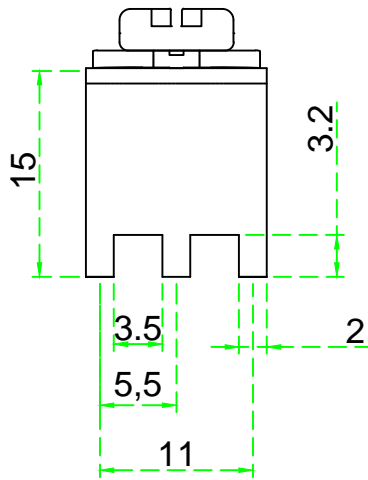
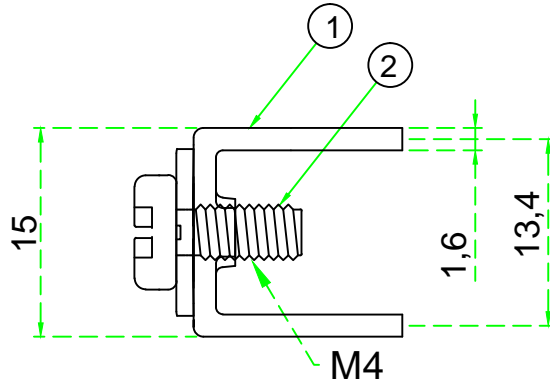
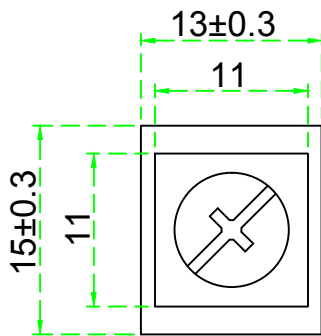


|     |           |           |         |        |
|-----|-----------|-----------|---------|--------|
| 3   |           |           |         |        |
| 2   | Screw     | Steel     | Ni      | M4     |
| 1   | Base      | Brass(황동) | Tin     | 1.6t   |
| No. | Part Name | Material  | Plating | Remark |



\* Base와 Screw 분리된 상태로 출고됨\*

**Note.**

1. 지시하지 않은 공차: **GENERAL TOLERANCES**

|                    |       |  |  |            |  |
|--------------------|-------|--|--|------------|--|
| GENERAL TOLERANCES |       | Part Name.   |  | Dwg No.    |  |
| 0 ~ 10             | ±0.2  | Earth Terminal   |  | BI-1315ES  |  |
| 10 ~ 50            | ±0.5  |  |  |            |  |
| 50 ~ 100           | ±0.7  | Drawing BY.  |  | Checkd BY. |  |
|                    | ±1.5° |  |  |            |  |
| Scale              | /     | (주)부일일렉트로닉스<br>BUIL ELECTRONICS CO., LTD.<br>www.ebuil.com |  |            |  |
| Material           |       |  |  |            |  |
| Finish             |       |  |  |            |  |