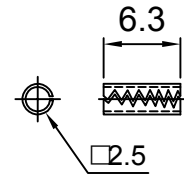
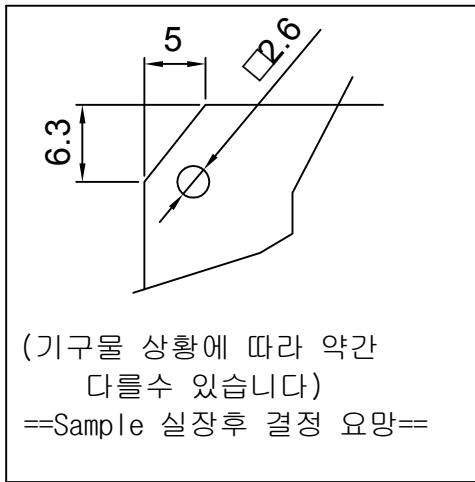
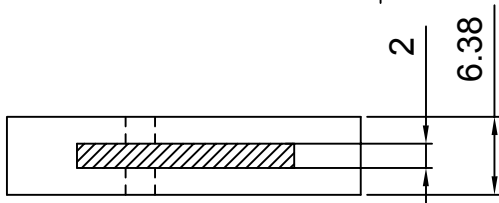


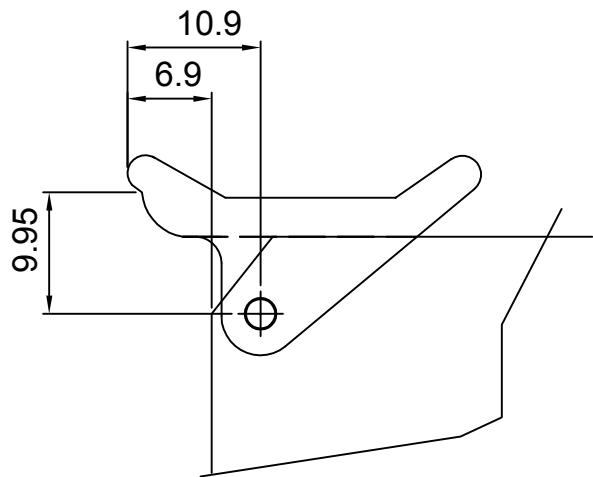
(적용 EJECTOR Pin)



Standard (BI-EJP25)



PCB LAYOUT



하우징만 사용시: BI-EJ101 (H)

GENERAL TOLERANCES			Part Name.		Dwg No.		
0 ~ 50	±0.1	±1.5°	Ejector		BI-EJ101		
50 ~ 400	±0.2						
400 ~ 1000	±0.3		Drawing BY.	Checkd BY.	Approval BY.	Sheet No.	of
1000 ~ 3000	±0.5					(주)부일일렉트로닉스 BUIL ELECTRONICS CO., LTD.	
Scale	/						
Material	Nylon-66						
Finish							