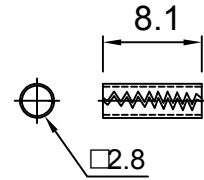
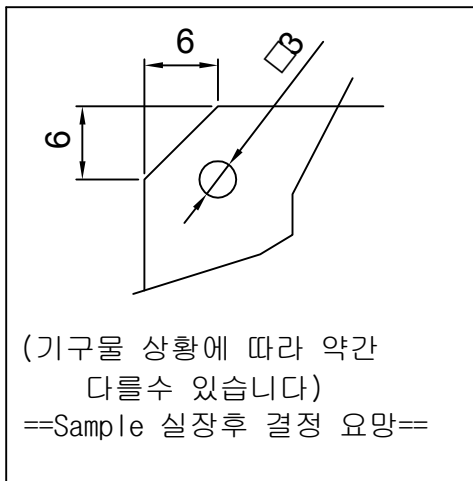
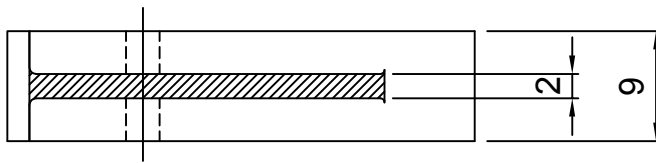


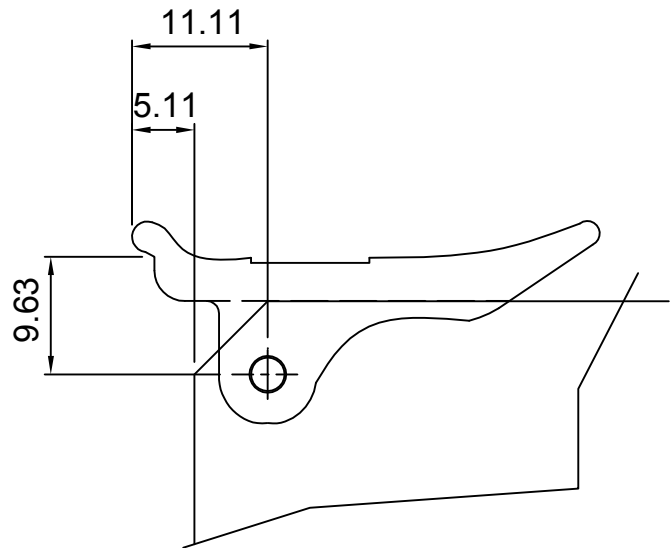
(적용 EJECTOR Pin)



(BI-EJP28)



PCB LAYOUT



하우징만 사용시: BI-EJ103 (H)

| | | | | | |
|--------------------|----------|---|------------|--------------|-----------|
| GENERAL TOLERANCES | | Part Name. | | Dwg No. | |
| 0 ~ 50 | ±0.1 | Ejector | | BI-EJ103 | |
| 50 ~ 400 | ±0.2 | | | | |
| 400 ~ 1000 | ±0.3 | Drawing BY. | Checkd BY. | Approval BY. | Sheet No. |
| 1000 ~ 3000 | ±0.5 | | | | of |
| Scale | / | (주)부일일렉트로닉스 BUIL ELECTRONICS CO., LTD. | | | |
| Material | Nylon-66 | | | | |
| Finish | | | | | |