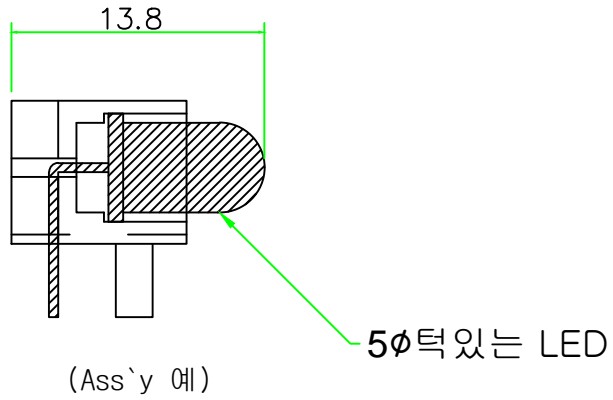


PCB MOUNTING HOLE



5 ϕ 턱있는 LED

NOTE.

1. 지시하지 않은 공차 : General Tolerances

GENERAL TOLERANCES		Part Name.		Dwg No.	
0 ~ 10	± 0.3	LED Holder		BI-502	
10 ~ 20	± 0.5				
20 ~ 50	± 0.8	Drawing BY.	Checkd BY.	Approval BY.	Sheet No. of
50 ~ 100	± 1.0				
Scale	/	(주)부일일렉트로닉스 BUIL ELECTRONICS CO., LTD. www.ebuil.com			
Material	PBT				
Finish					