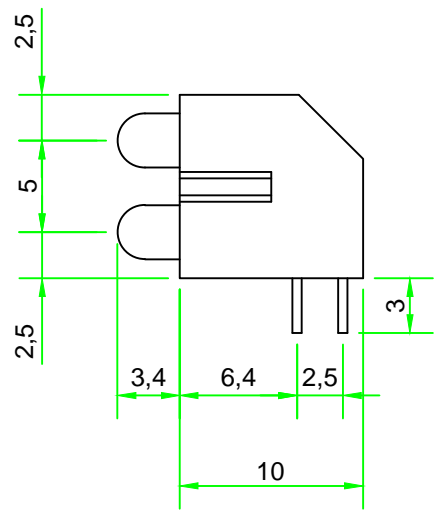
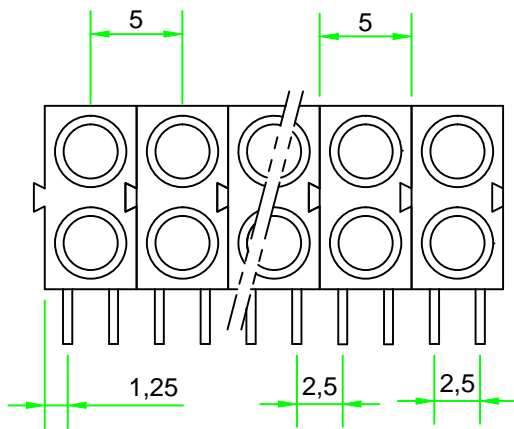


(PCB HOLE)

(Ass'y 예)



NOTE.

1. 지시하지 않은 공차 : General Tolerances

GENERAL TOLERANCES		Part Name.		Dwg No.	
0 ~ 10	±0.3	LED Holder		BI-3052	
10 ~ 20	±0.5				
20 ~ 50	±0.8	Drawing BY.	Checkd BY.	Approval BY.	Sheet No.
50 ~ 100	±1.0				of
Scale	/	(주)부일일렉트로닉스 BUIL ELECTRONICS CO., LTD. www.ebuil.com			
Material	PC				
Finish					