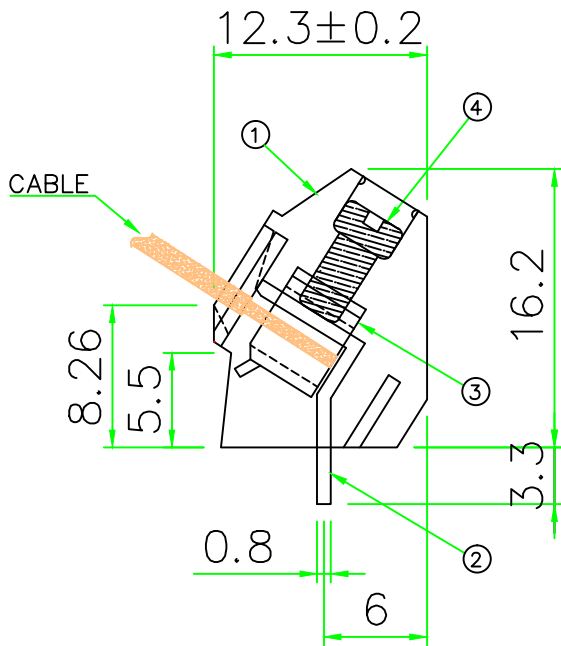


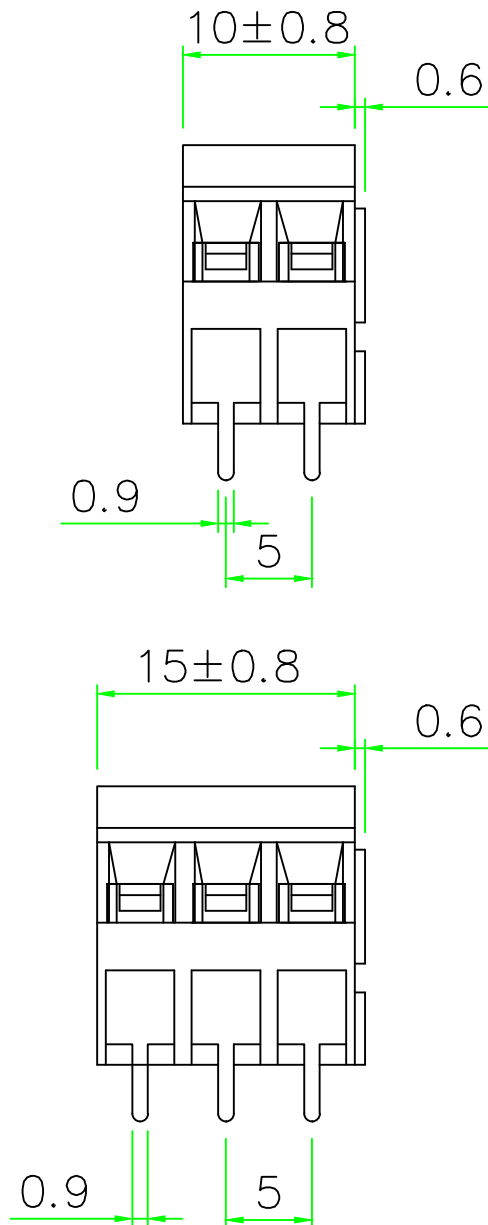
Current rating	AC250V 8Amp
Insulation resistance	500M Ohms of More at DC500V
Withstand voltage	AC2000V/Minute
Wire range	AWG #18~26
Torque	4.0 lb-in

5			
4	Screw	Steel	Ni M2.6
3	Terminal-2	Brass	Tin
2	Terminal-1	Brass	Tin
1	Base	PA-66	UL94V0
	Part Name	Material	Plating Remark

Option: Brass Screw



PCB hole Dia:  $\phi 1.3 \sim 1.5$



GENERAL TOLERANCES			Part Name.		MOEDL No.		
0 ~ 10	±0.2	±1.5°	Terminal Block		BI-5045GS-**P		
11 ~ 50	±0.5		SIZE	Drawing BY.	Approval BY.	Sheet No.	
51 ~ 100	±0.8		A4				
Scale	/		UNIT		(주)부일일렉트로닉스		
Material			mm		BUIL ELECTRONICS CO.,LTD		
Finish					www.ebuil.com		