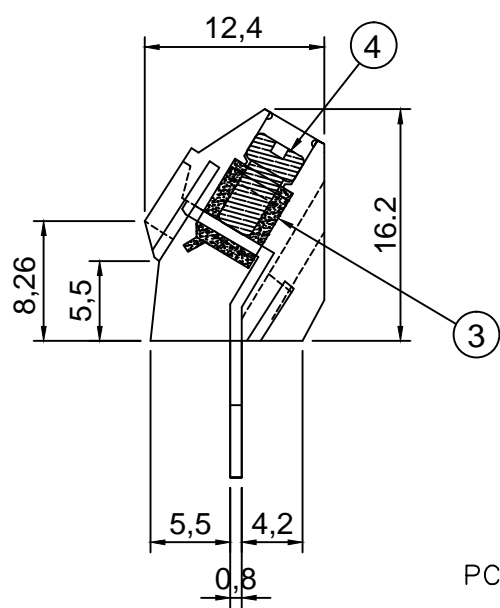
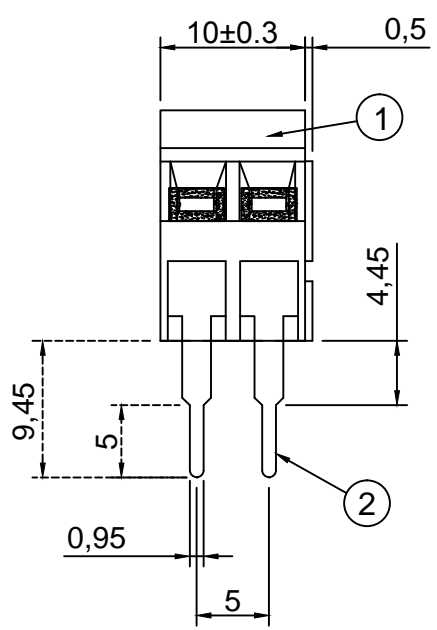


Current rating	AC250V 10Amp
Insulation resistance	500M Ohms of More at DC500V
Withstand voltage	AC2000V/Minute
Wire range	AWG #18~#26

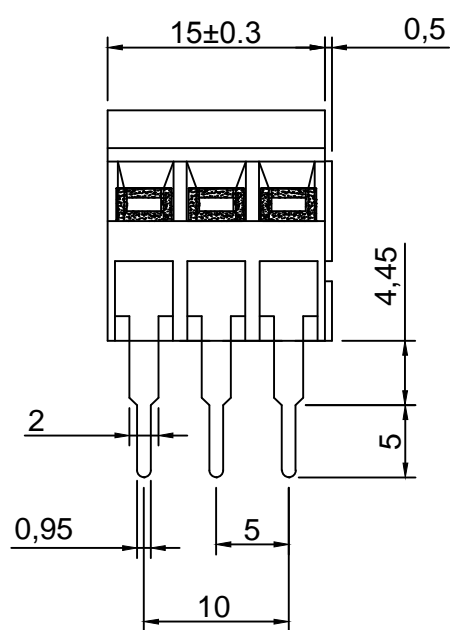
4	Screw	Steel	Ni	M2.6
3	Terminal-2	Brass	Tin	H
2	Terminal-1	Brass	Tin	1/2H
1	Base	PA66		UL-94V0
	Part Name	Material	Plating	Remark



PCB hole Dia:  $\phi 1.5$



(BI-5045GSL-2P)



(BI-5045GSL-3P)

GENERAL TOLERANCES		Part Name.		MOEDL No.	
0 ~ 10	$\pm 0.2$	Terminal Block		BI-5045GSL-*P	
11 ~ 50	$\pm 0.5$				
51 ~ 100	$\pm 0.8$	SIZE		Drawing BY.	Approval BY.
Scale /		A4		(주)부일일렉트로닉스 BUIL ELECTRONICS CO.,LTD www.ebuil.com	
		UNIT			
		mm			
Finish				Sheet No.	