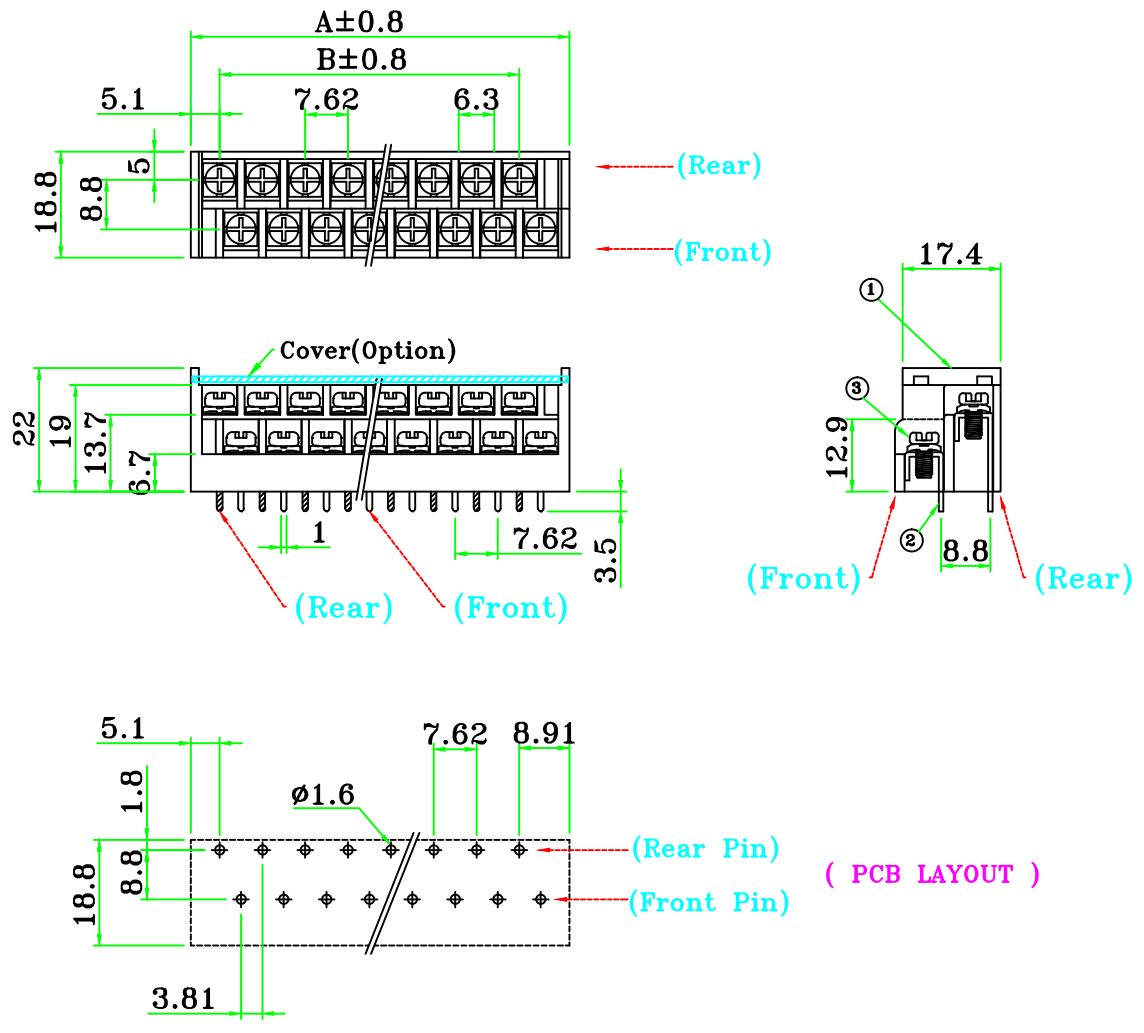


1				2				3				4			
4	Cover	PC_투명		1t					Current rating	AC250V 10Amp					
3	Screw	Steel	Ni	M3					Insulation resistance	500M Ohms of More at DC500V					
2	Terminal	Brass	TIN	1/2H					Withstand voltage	AC2000V/Minute					
1	Base	PBT		UL94V0					Wire range	AWG #16~22					
A	Part Name	Material	Plating	Remark					Torque	5.2 lb-in					



(Option)  
1. Cover 사용시 No.: BI-762DSC-\*P

(Dimension)

Pin	6	8	10	12	14	16	18	20	22
A	29.25	36.87	44.49	52.11	59.73	67.35	74.97	82.59	90.21
B	15.24	22.86	30.48	38.1	45.72	53.34	60.96	68.58	76.2

Pin	24	26	28	30	32	34	36	40
A	97.83	105.45	113.07	120.69	128.31	135.93	143.55	158.79
B	83.82	91.44	99.06	106.68	114.3	121.92	129.54	144.78

GENERAL TOLERANCES		Part Name.		Dwg No.	
0 ~ 50	±0.5	Terminal block		BI-762DS-*P	
50 ~ 100	±0.8				
100 ~ 150	±1.0	Drawing BY.	Checkd BY.	Approval BY.	Sheet No.
150 ~ 200	±1.2				of
Scale	/	(주)부일일렉트로닉스 BUIL ELECTRONICS CO., LTD. www.ebuil.com			
Materral					
Finish					