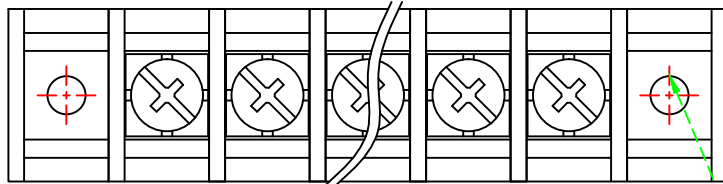
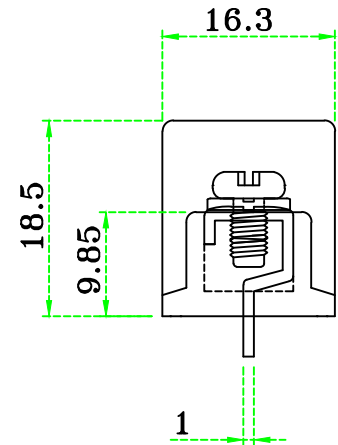
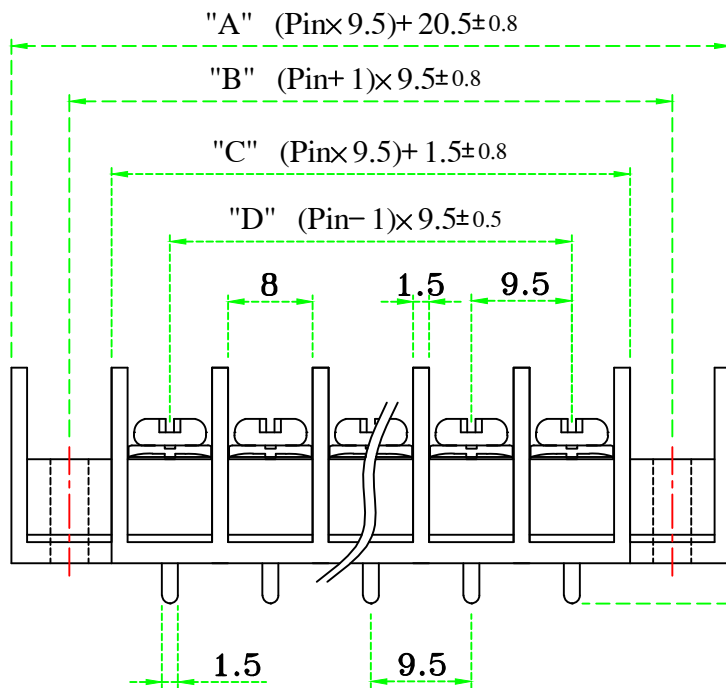


4				
3	Screw	Steel	Ni	M3.5
2	Terminal	Brass	TIN	1/2H
1	Base	PBT		UL94 V0
A	Part Name	Material	Plating	Remark

Current rating	AC250V 18Amp
Insulation resistance	1000M Ohms of More at DC500V
Withstand voltage	AC2000V/Minute
Wire range	AWG #14~22
Torque	6.9 lb-in



Ø3.6



PCB hole Dia: Ø2.0

Option.

1. Cover 사용시 No.: BI-95AFC-*P

Note.

1. 지시하지 않은 공차: GENERAL TOLERANCES

GENERAL TOLERANCES			Part Name.		Dwg No.	
0 ~ 50	±0.5	±1.5°	Terminal block		BI-95AF-*P	
50 ~ 100	±0.8		Drawing BY.		Sheet No.	
100 ~ 150	±1.0		Checkd BY.		of	
150 ~ 200	±1.2		Approval BY.		(주)부일일렉트로닉스	
Scale	/			BUIL ELECTRONICS CO., LTD.		
Materral				www.ebuil.com		
Finish						