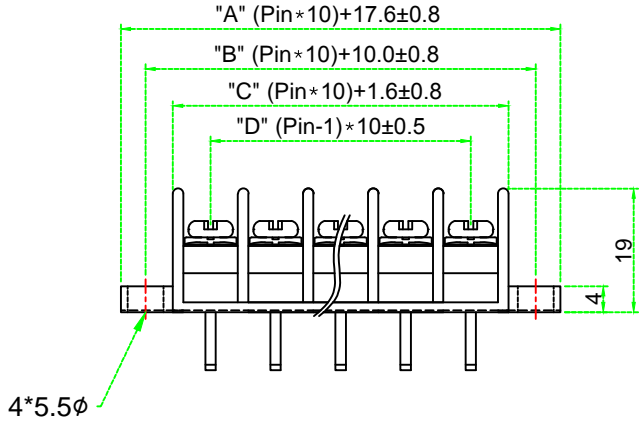
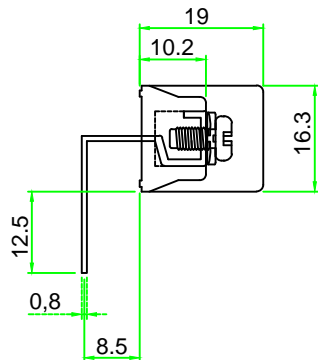
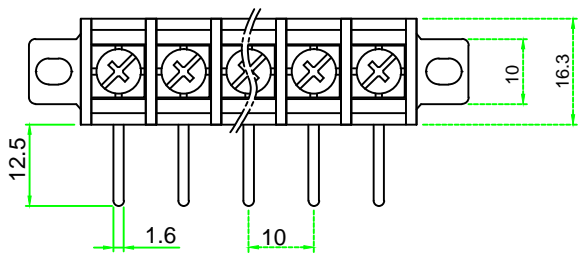


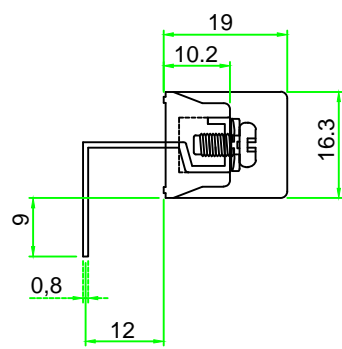
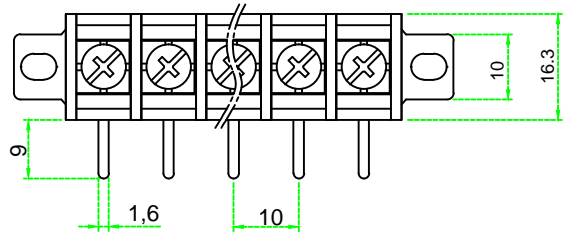
4					Current rating	AC250V 10Amp
3	Screw	Steel	Ni	M3.5	Insulation resistance	1000M Ohms of More at DC500V
2	Terminal	Brass	TIN	1/2H	Withstand voltage	AC2000V/Minute
1	Base	PBT		UL94V0	Wire range	AWG #12~22
A	Part Name	Material	Plating	Remark	Torque	6.9 lb-in



(A Type)  
<Standard>



(B Type)



PCB hole Dia:  $\phi 2.0$

- Note.**
1. One Mold 최대 핀수: 18Pin
  2. Cover 사용시 모델No. : BI-10A-2LDC-\*P\_(Option)
  3. 지시하지 않은 공차: GENERAL TOLERANCES

GENERAL TOLERANCES		Part Name.	Dwg No.	
0 ~ 50	$\pm 0.3$	Terminal block	BI-10A-2LD-*P	
50 ~ 100	$\pm 0.5$		Drawing BY.	Checkd BY.
100 ~ 150	$\pm 0.8$	Approval BY.	Sheet No.	of
150 ~ 200	$\pm 1.0$	(주)부일일렉트로닉스 BUIL ELECTRONICS CO., LTD. www.ebuil.com		
Scale	/			
Material				
Finish				