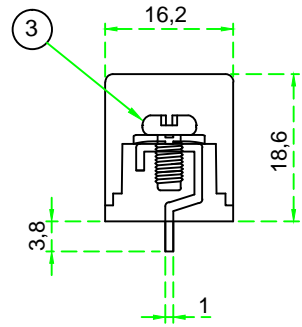
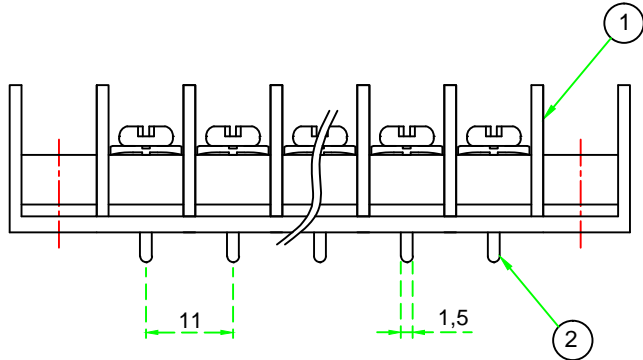
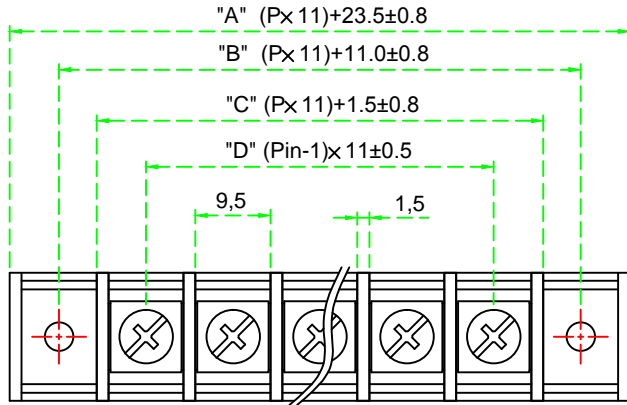


| | | | | | | |
|---|-----------|----------|---------|----------|-----------------------|------------------------------|
| 4 | | | | | Current rating | AC250V 18Amp |
| 3 | Screw | Steel | Ni | M3.5 | Insulation resistance | 1000M Ohms of More at DC500V |
| 2 | Terminal | Brass | TIN | 1/2H | Withstand voltage | AC2000V/Minute |
| 1 | Base | PBT | | UL94 V-0 | Wire range | AWG #14~#22 |
| A | Part Name | Material | Plating | Remark | Torque | 6.9 lb-in |



PCB hole Dia: $\phi 2.0$

(Option)
1. Cover 사용시 No: BI-11AFC-※P

(Note)
2. 지시하지 않은 공차: **GENERAL TOLERANCES**

| | | | | | |
|--------------------|------|--|------------|--------------|-----------|
| GENERAL TOLERANCES | | Part Name. | | Dwg No. | |
| 0 ~ 50 | ±0.5 | Terminal block | | BI-11AF-※P | |
| 50 ~ 100 | ±0.8 | | | | |
| 100 ~ 150 | ±1.0 | Drawing BY. | Checkd BY. | Approval BY. | Sheet No. |
| 150 ~ 200 | ±1.2 | | | | of |
| Scale | / | (주)부일일렉트로닉스 BUIL ELECTRONICS CO., LTD. www.ebuil.com | | | |
| Material | | | | | |
| Finish | | | | | |