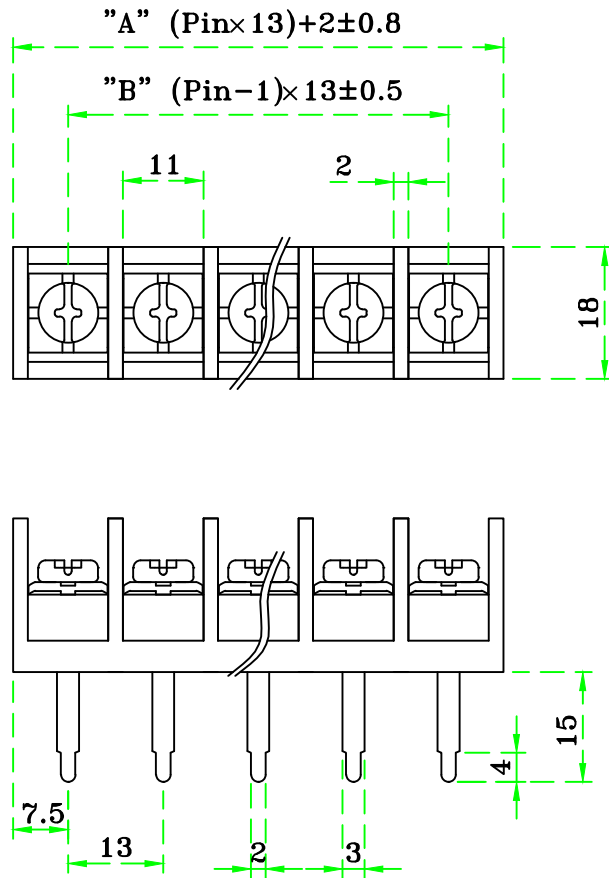


4												Current rating	AC250V 30Amp							
3	Screw	Steel		Nickel			M4					Insulation resistance	1000M Ohms of More at DC500V							
2	Terminal	Brass	1/2H	TIN			1t					Withstand voltage	AC2000V/Minute							
1	Base	PBT	UL94V-0		Black							Wire range	AWG #10~18							
No.	COMPONENT PARTS	MATERIAL	STANDARD	PLATED	COLOR	Q'TY	REMARK					Torque	12lb-in(13.8kgf-cm)							



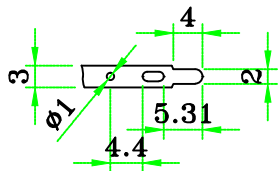
PCB hole Dia :  $\phi 2.5$

(Note)

1. 지시하지 않은 공차: GENERAL TOLERANCES

(Option)

- 1. Cover 사용시 No: BI-13A-1SC-\*P
- 2. Hole Pin



(Dimension)

Pin	2	3	4	5	6	7	8	9	10	11	12	13	14	15	16	17	18	19	20
A $\pm 0.8$	28	41	54	67	80	93	106	119	132	145	158	171	184	197	210	223	236	249	262

GENERAL TOLERANCES		Part Name.			Dwg No.			
0 ~ 50	$\pm 0.5$	Terminal Block			BI-13A-1S-*P			
50 ~ 100	$\pm 0.8$							
100 ~ 150	$\pm 1.0$	Drawing BY.	Checkd BY.	Approval BY.	Sheet No.	of		
150 ~ 200	$\pm 1.5$					(주)부일일렉트로닉스 BUIL ELECTRONICS CO., LTD. www.ebuil.com		
Scale								
Material								