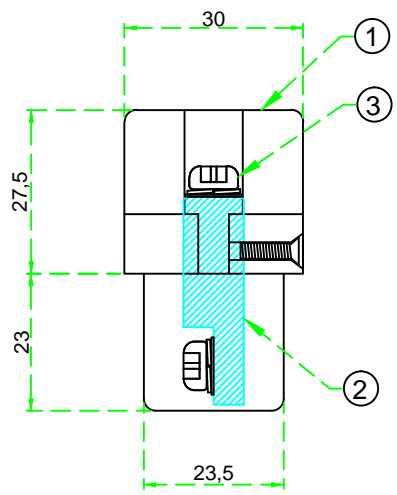
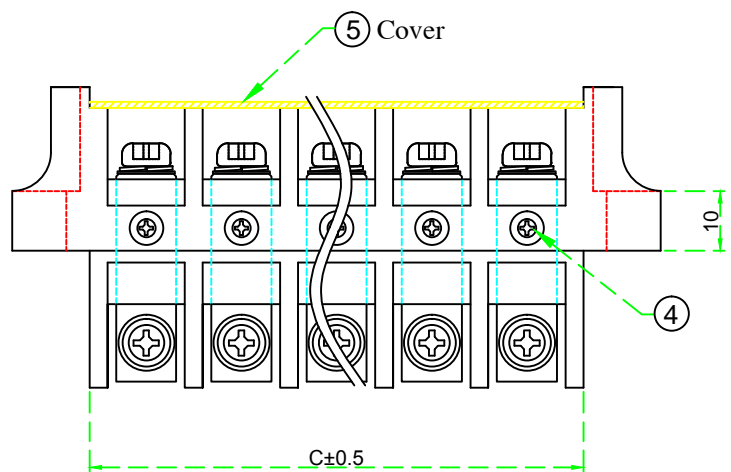
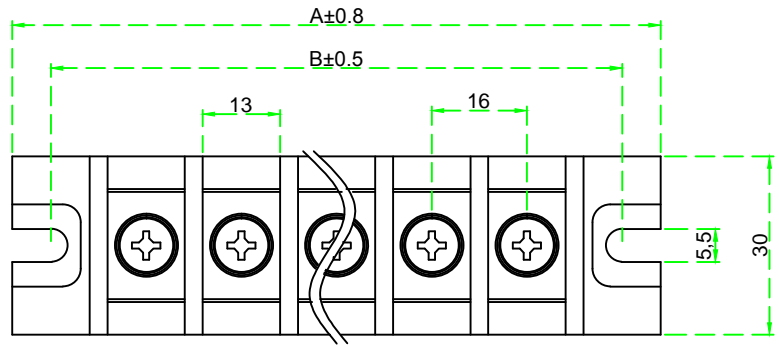


5	Cover	PC_투명		1t	Current rating	AC600V 60Amp
4	Screw-2	Steel	3가아연(Black)	M3	Insulation resistance	1000M Ohms of More at DC500V
3	Screw-1	Steel	Ni	M6	Withstand voltage	AC2000V/Minute
2	Terminal	깨삭황동(C3604)	Ni	Ø10	Wire range	AWG #8~10
1	Base	PBT		UL94V-0		
	Part Name	Material	Plating	Remark		



Note.
 1. Base & Screw & Cover 분리된 상태로 출고
 2. 지시하지 않은 공차: GENERAL TOLERANCES

Pin	2	3	4	5	6	7	8	9	10	11	12	13	14
A	61	77	93	109	125	141	157	173	189	205	221	237	253
B	48	64	80	96	112	128	144	160	176	192	208	224	240
C	35	51	67	83	99	115	131	147	163	179	195	211	227

GENERAL TOLERANCES		Part Name.		Dwg No.	
0 ~ 50	±0.5	Terminal block		BI-16PTHC - **P	
50 ~ 100	±0.8				
100 ~ 150	±1.0	Drawing BY.		Sheet No.	
150 ~ 200	±1.2				
Scale /		Approval BY.		(주)부일일렉트로닉스	
Material					
Finish		Approval BY.		www.ebuil.com	